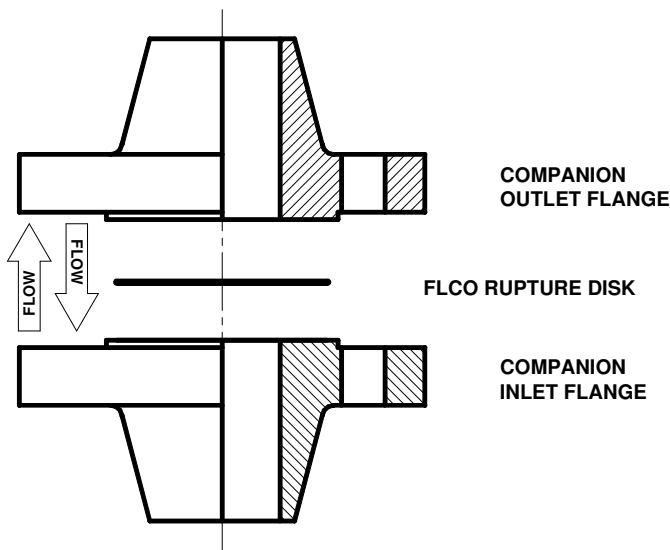


# Installation Instructions for FLCO Rupture Disks Between Companion Piping Flanges

## TYPICAL FLCO INSTALLATION SHOWN



### CAUTION

All new rupture disk installations should be located to allow full unrestricted discharge when overpressure of a pressurized system occurs, causing a disk to burst. Never locate a rupture disk assembly where the discharge from a ruptured disk is directly impacting people or equipment.

### IMPORTANT

A FLCO rupture disk is a precision piece of equipment. Please handle it with extreme care! Avoid scratching, bending, denting or otherwise damaging the flat rupture disk. Do not allow sharp or pointed objects to pierce the Teflon seals of this assembly.

### RUPTURE DISK REMOVAL

1. Verify that system has been depressurized and is safe to open to ambient conditions. Remove companion flange bolting
2. Use extreme care when separating the companion piping flanges for removal of the ruptured disk due to the sharp edges of this rupture disk assembly in the burst/open condition.

3. Remove the burst rupture disk assembly and examine the mating companion piping flange gasket surfaces. These gasket surfaces should be suitably cleaned to remove all traces of the previous gasket seal in order to create a good seal on the FLCO assembly being installed.

### INSTALLING THE FLCO RUPTURE DISK

1. Position the new FLCO assembly within the companion piping flange bolt circle and install sufficient bolts to maintain this position for the FLCO. Complete bolting installation being careful to maintain the initial position of the rupture disk assembly.
2. Tighten nuts in a sequential manner, beginning with 10 percent of the torque values depicted in the table below. Increase the torque level in suitable increments until the value listed in the table below is achieved

FLANGE BOLTING TORQUE REQUIREMENTS FOR FLCO COMPANION FLANGES (FT-LBS)		
Nominal Size (inches)	150 ANSI	300 ANSI
1	17	21
1.5	34	51
2	59	30
3	93	56
4	62	74
6	111	74
8	146	113
10	139	119
12	174	168
14	283	191
16	283	283
18	415	307
20	415	384
24	583	583
30 "Series A"	600	700

Torque values are based on nuts and studs being lightly lubricated and maintained in a "free running" condition. These values are based on gasket sealing loads for flexatallc type gaskets.