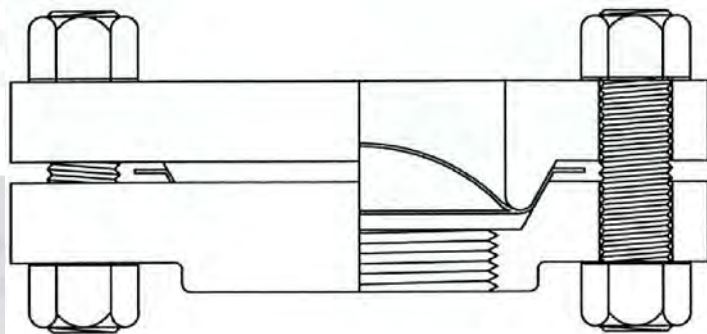


# **BOLTED**

## **BOLTED RUPTURE DISC HOLDER**

The Oseco Bolted Rupture Disc Holder assembly is available with any combination of either weld-neck or threaded inlet and outlet connections.

Bolted Holders are designed to be used with or in place of ANSI B16.5 flanges.



**RDH-1 (Threaded Inlet/Flat Outlet)**



### **Oseco's Bolted Holder is designed for use between ANSI companion flanges.**

- Weld-neck, threaded, flat, or combination connections available
- Full diameter flat-faced inlet & outlet flanges
- Designed to complement or replace ANSI B16.5 flanges with Sch 40 pipe
- Available in flat seat configuration with the FRDH and PRDH
- Standard materials of construction: 316 Series Stainless Steel and Carbon Steel
- Designed to meet ASME standards

#### **Sizes**

1" - 8"

Larger sizes available upon request

#### **Common Applications**

Skids, Railcars and Intermodal Container



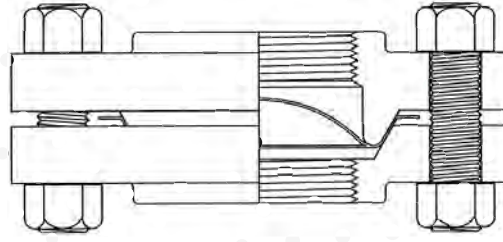
## Related Products

### RUPTURE DISCS

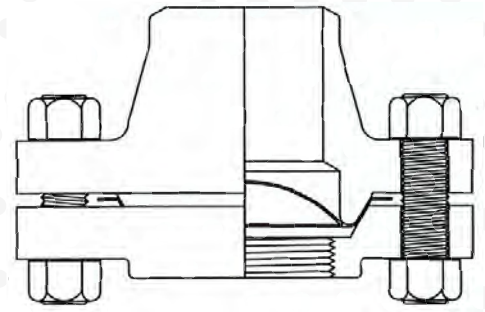
FAS  
PRO+KRGL  
CO  
STD

## Certifications

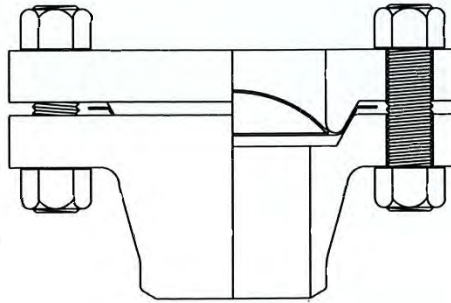
ASME UD



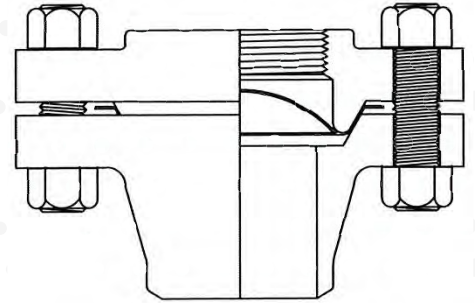
RDH-2 (Threaded Inlet/Threaded Outlet)



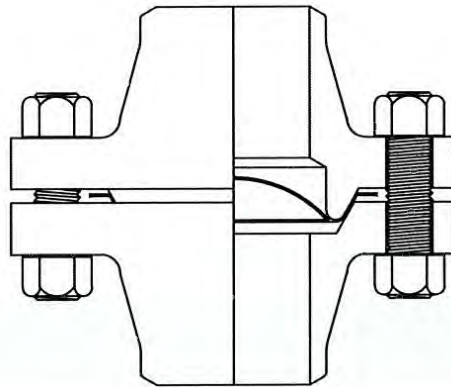
RDH-3 (Threaded Inlet/Welded Outlet)



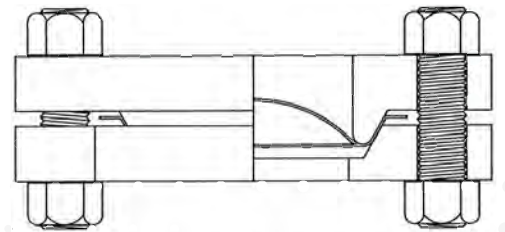
RDH-4 (Welded Inlet/Flat Outlet)



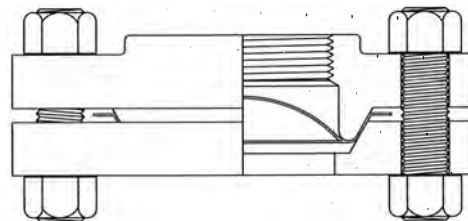
RDH-5 (Welded Inlet/Threaded Outlet)



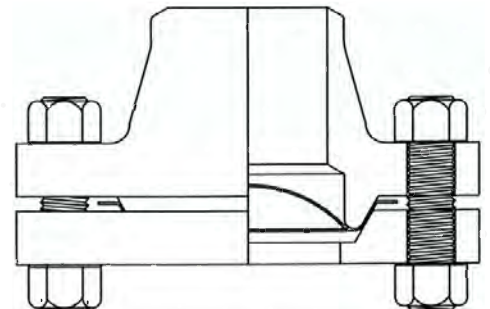
RDH-6 (Welded Inlet/Welded Outlet)



RDH-7 (Flat Inlet/Flat Outlet)



RDH-8 (Flat Inlet/Threaded Outlet)



RDH-9 (Flat Inlet/Welded Outlet)

Let us help you with all  
your pressure relief questions.  
Call us at (800) 395-3475  
or email us at [info@oseco.com](mailto:info@oseco.com).

[www.oseco.com](http://www.oseco.com)

**oseco** pressure  
intelligence