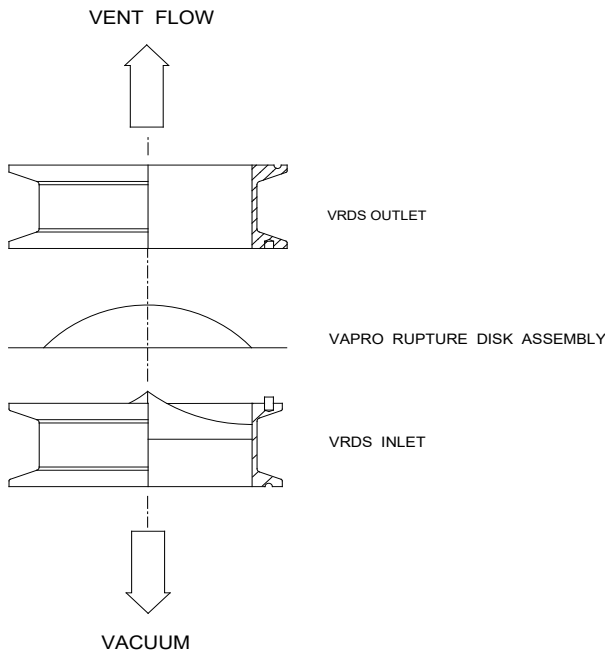


Installation Instructions for VAPROS Rupture Disks in Sanitary Holders

TYPICAL VRDS INSTALLATION



CAUTION

All rupture disk installations should be located to allow full unrestricted discharge of a burst disk when overpressure of the system occurs. Never locate a rupture disk assembly where the discharge from a burst disk can directly impact personnel or equipment. Venting of a burst disk discharge must always be routed to a safe disposal area. Handle burst rupture disks carefully! Avoid their sharp, jagged edges when removing same from holder. The knife blades in the VRDS holder are extremely sharp. Handle holders very carefully to avoid injury.

IMPORTANT

The VAPRO rupture disk assembly is a dual acting precision piece of equipment. Handle it with extreme care. Avoid scratching, bending, denting or damaging the dome and/or flat seat areas of the metal disk membrane. Handle the disk by the flat outer annular seating surfaces and avoid the dome area as much as possible. Never carry a VAPROS disk/holder assembly by the name tag alone as damage to the disk could occur. Do not place tools or foreign objects on top of the knife blades or holder. The knife blades must be kept very sharp and free of nicks and defects in order for the disk assembly to function properly.

RUPTURE DISK HOLDER PREPARATION

- 1) Loosen and remove sanitary clamps only after verifying that the system is depressurized. Always purge toxic and/or dangerous materials to a safe disposal area from any system that is to be opened.
- 2) Slip the sanitary holder from between the mating fittings and place on a flat work surface. Separate the holder inlet from the outlet and remove the existing rupture disk assembly.
- 3) Thoroughly inspect and clean all seating surfaces of the disk holder. Do not scrape or scratch any seating surface! If wiping these surfaces with a clean cloth and a suitable solvent does not remove surface residues, fine emery cloth or steel wool may be utilized. Care should be exercised not to exert sufficient pressure on the emery cloth or steel wool to "cut or groove" these surfaces. When in doubt about the proper condition of these seal surfaces, contact OSECO for further instructions.
- 4) Inspect knife blade points and edges. Knife blade edges must be razor sharp and free of nicks or defects. Points must be sharp and undamaged for the disk assembly to work properly. Contact OSECO for repair or replacement of dull or damaged knife blades. Do not install the assembly if the blades are dull, nicked, or damaged.

RUPTURE DISK INSTALLATION

- 1) Carefully unpack the rupture disk assembly. If the rupture disk assembly was packaged with a device marked "SHIPPING PROTECTOR - DO NOT USE", remove same now.
- 2) Place the Insert VRDS Inlet on a flat work surface with the blades pointing up. Place the rupture disk assembly on the holder, carefully aligning the holes in the flange portion of the rupture disk assembly with the alignment pins in the inlet.
- 3) Position the VRDS Outlet over the dome of the rupture disk assembly, carefully aligning the inlet alignment pins with the holes in the outlet and lower into place. If interference is present, correct before continuing.
- 4) Install the sanitary fitting clamp on the VRDS assembly and torque the clamp nut in accordance with the torque values in the table below.
- 5) Check mating fittings and verify that sealing surfaces are clean and free of corrosion and debris.
- 6) Position the VRDS assembly between the mating fittings. The concave side of the rupture disk assembly should face the vacuum source. Reinstall gaskets and sanitary clamps. Tighten sanitary clamp nuts to manufacturer specifications.



Installation Instructions for VAPROS Rupture Disks in Sanitary Holders

VAPROS/VRDS TORQUE TABLE

FITTING SIZE IN.	RECOMMENDED TORQUE VALUE FT-LB
4	8
6	20
8	20
10	20
12	20